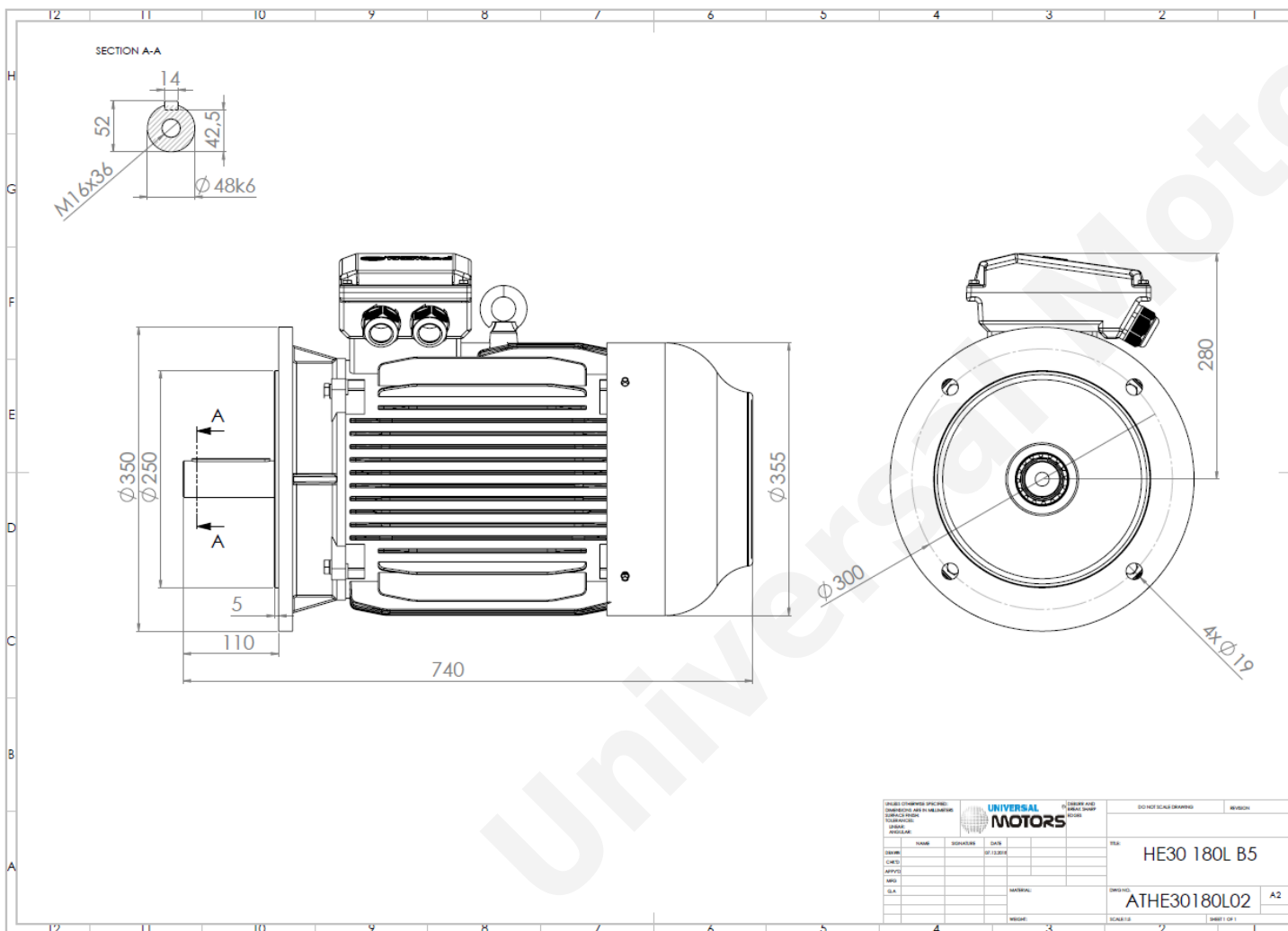




TECHNICAL DATA

Three Phase Electric Motors - Cast Iron Frame
 HE30 180 L1 4 IE2
 22 kW / 30 Cv
 1470 RPM



Motor type:	HE30 180 L1 4 IE2
Output:	22 kW / 30 Cv
Speed (min ⁻¹):	1470 RPM
Frequency:	50 Hz
Voltage:	400 V
Current:	40.3 A
Power factor (Cos Ø):	0.86
Poles:	4
Insulation class:	F
Temperature rise Class:	B
Efficiency 50%:	91.5 %
Efficiency 75%:	92.1 %
Efficiency 100%:	91.6 %
Torque:	143 N.m
Tstarting/Tnominal:	2.2
Istarting/Inominal:	8.2
Tmaximum/Tnominal:	2.3
Noise:	65 Db(A)
Weight:	214 Kg
Bearing DE:	6311 C3
Bearing NDE:	6311 C3

Regime - S1

Altitude - 1000m

Environment Temperature - 40°C

CONTACTS:

UNIVERSAL MOTORS Tel: +351 252 299 080
 Rua de São Brás,745 Fax: +351 252 299 089
 4480-782 VILA DO CONDE Mail: geral@universalmotors.pt

* References applied only in the UK